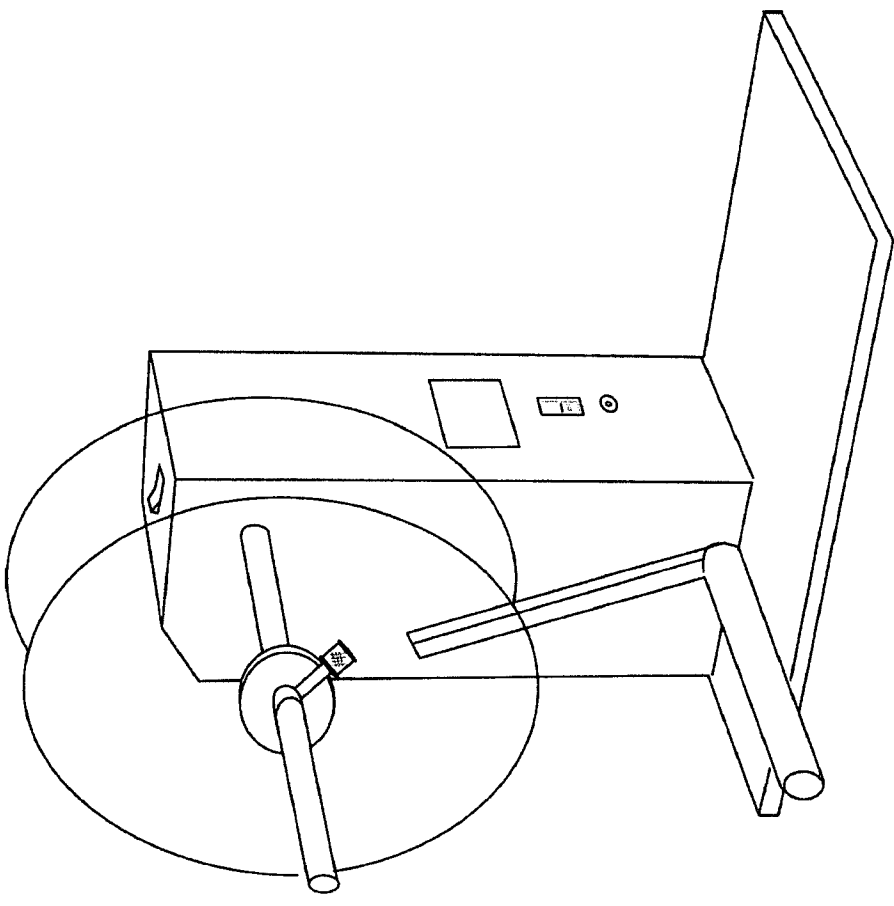


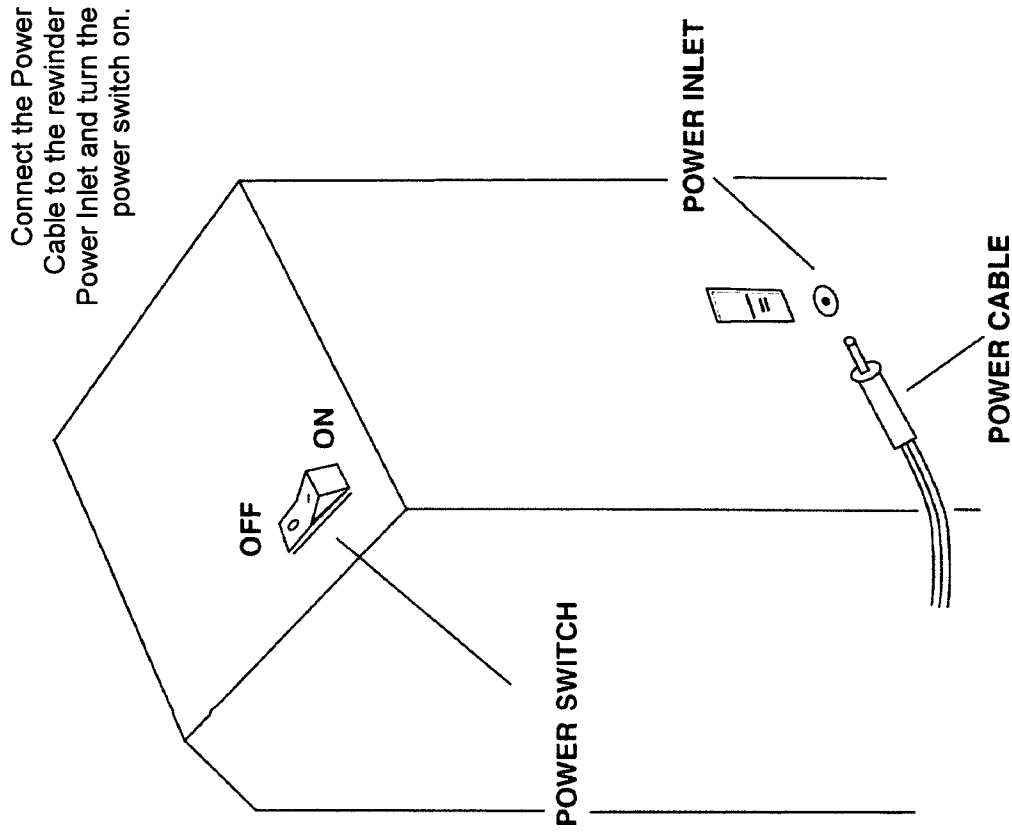
LABEL REWINDER GLR-100



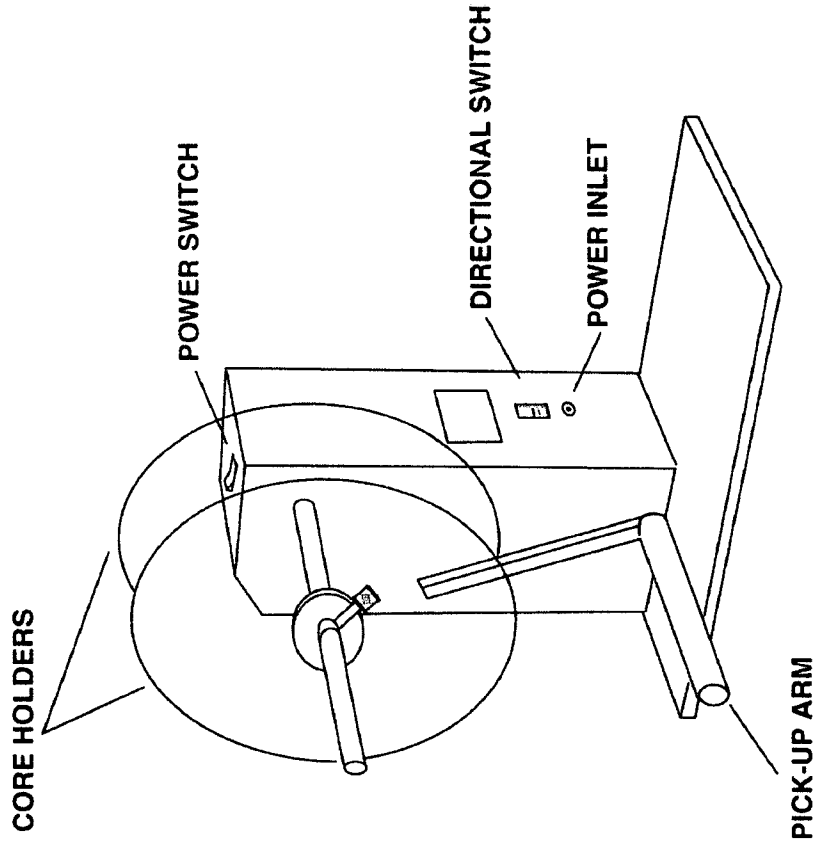
OWNER'S MANUAL

LABEL REWINDER GLR-100

GETTING POWER



LABEL REWINDER GLR-100 LAYOUT

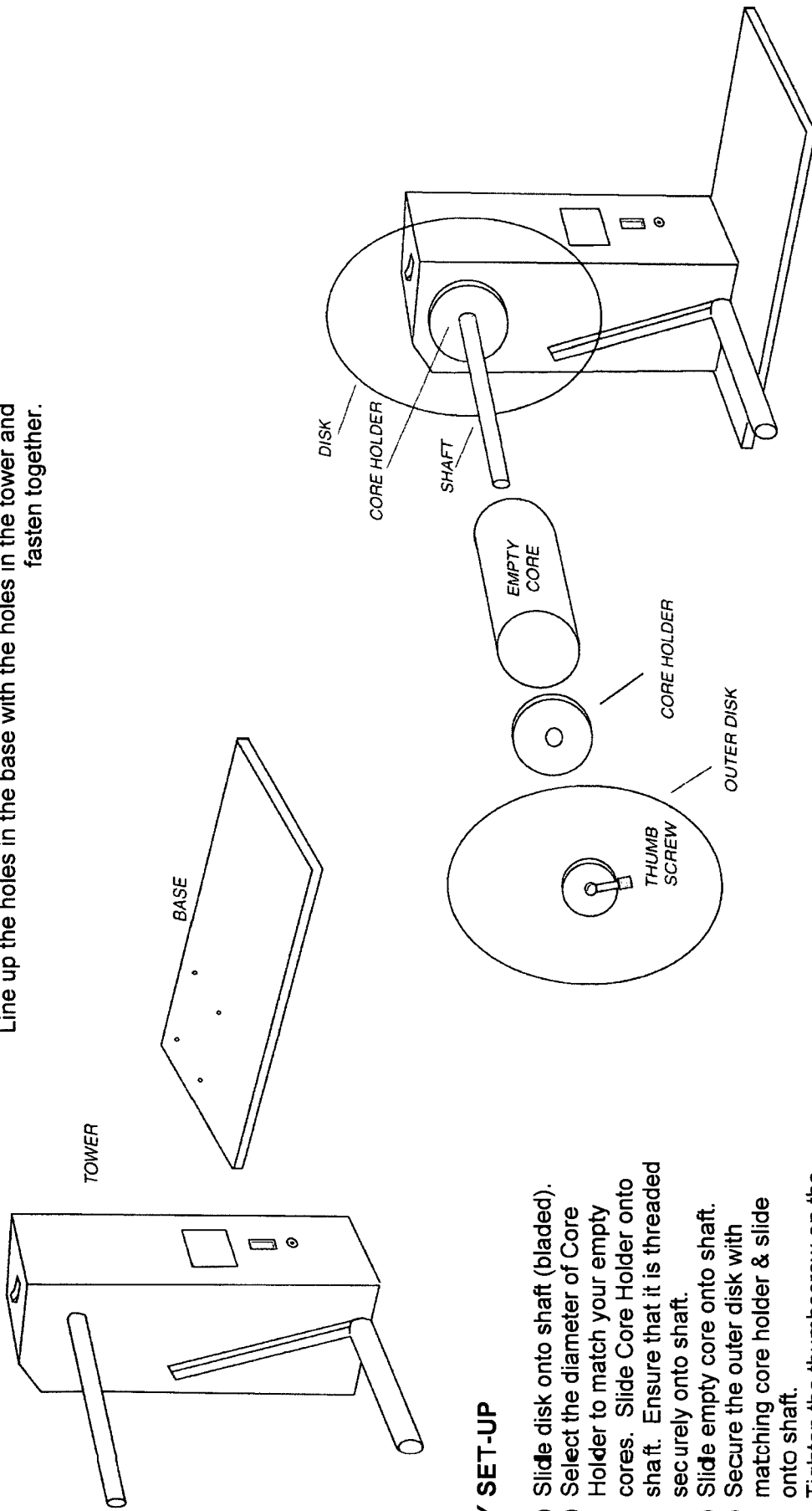


CAUTION: DO NOT LIFT OR CARRY THE UNIT USING THE PICK UP ARM.

LABEL REWINDER GLR-100

SET-UP & ASSEMBLY GUIDE

The base has 4 screw holes that allow the tower to be attached.
Line up the holes in the base with the holes in the tower and fasten together.

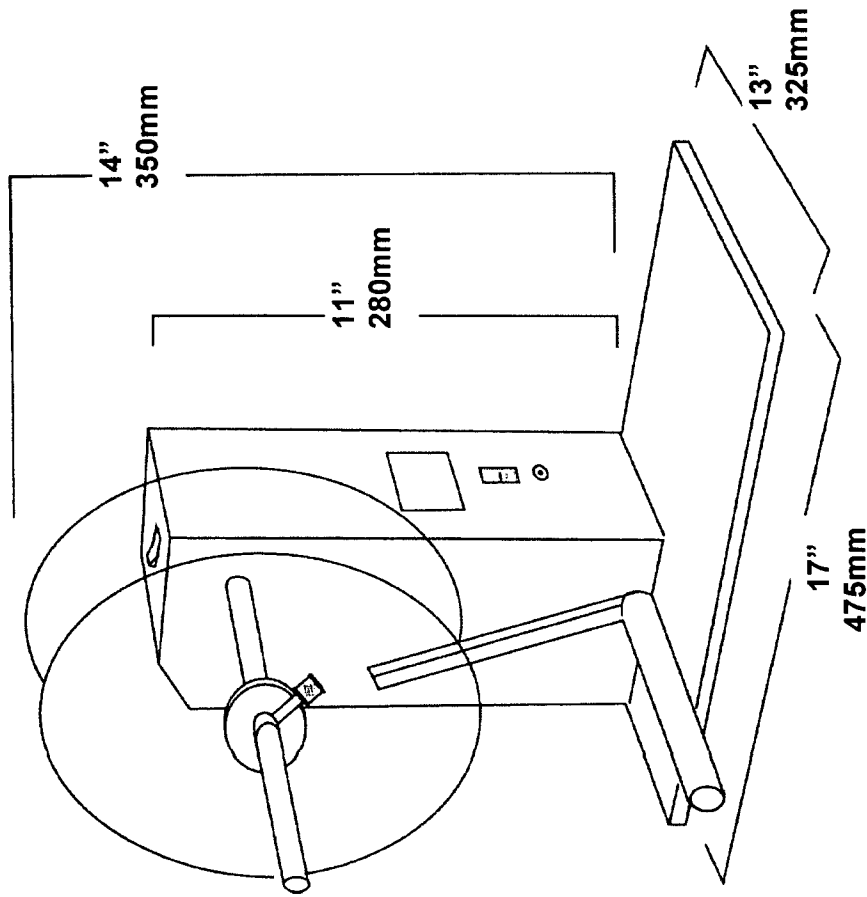


EASY SET-UP

- 1.) Slide disk onto shaft (bladed).
- 2.) Select the diameter of Core Holder to match your empty cores. Slide Core Holder onto shaft. Ensure that it is threaded securely onto shaft.
- 3.) Slide empty core onto shaft.
- 4.) Secure the outer disk with matching core holder & slide onto shaft.
- 5.) Tighten the thumbscrew on the outer disk.

LABEL REWINDER GLR-100

DIMENSIONS

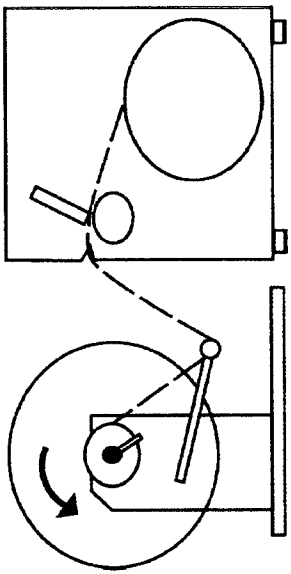


LABEL REWINDER GLR-100

LABEL THREADING

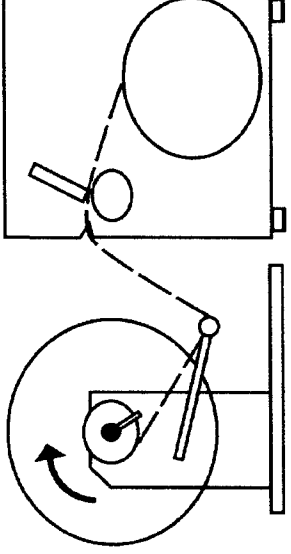
The rewinder has a winding Direction Switch (directly above the power inlet) that allows you to select the mode of rewinding: labels wound in or labels wound out.

1. Outside Winding



Directional Switch
in lower position.

2. Inside Winding



Directional Switch
in upper position.