

Appendix A

Packing

When packing the IntelliBar printer for shipping or moving, reuse the original shipping carton and packing materials. Reverse the unpacking instructions found in the carton.*

Repack as follows.

1. Remove the label and ribbon rolls from the printer.
2. Make sure the print head is closed and securely latched.
3. Tape the front and left side panels so they stay securely shut during shipment.
4. Pack the printer using the shipping carton and packing material. Figure A-1 and Figure A-2 show the configurations for repacking the Model 48, Model 412, and Model 88 printers in the carton.

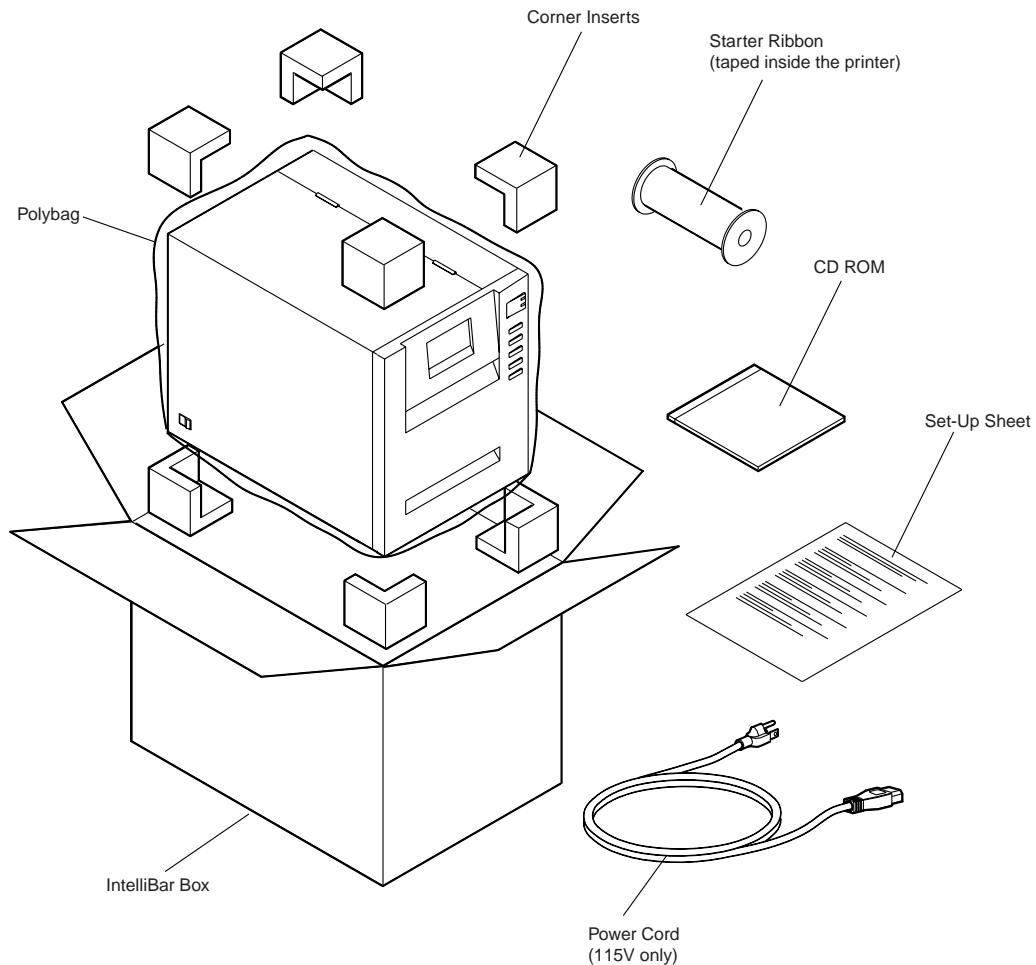


Figure A-1 Packing Configuration (Model 48 and Model 412)

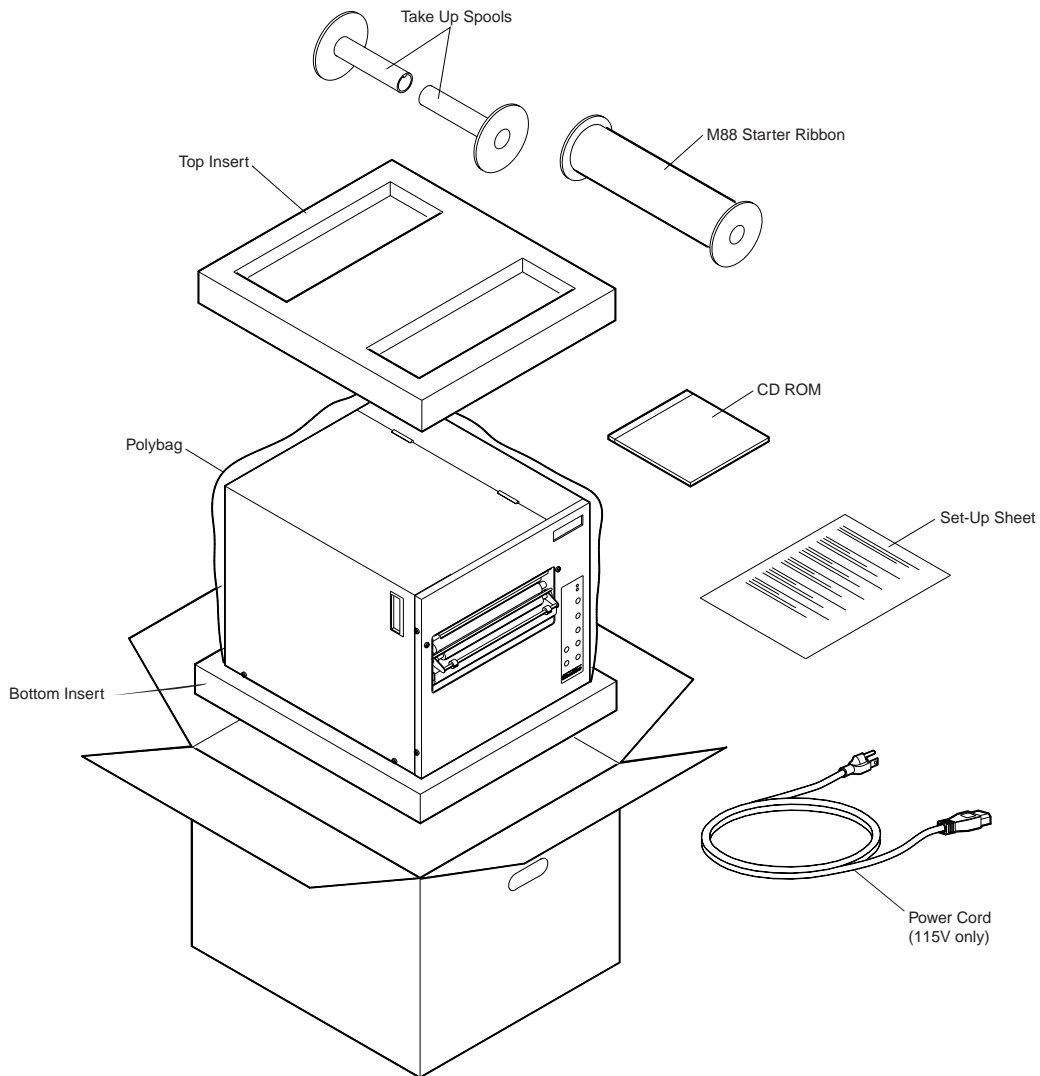


Figure A-2 Packing Configuration (Model 88)

*"This information is subject to change without notice. This information is provided "as is" without either express or implied warranty. *IntelliTech* International, Inc. disclaims any and all warranties with regard to this information. *IntelliTech* shall not be liable in any event for any special, indirect or consequential damages or any damages whatsoever resulting from loss of data, profits or use, for any reason or in any action, arising out of or in connection with the use or performance of this information. "
